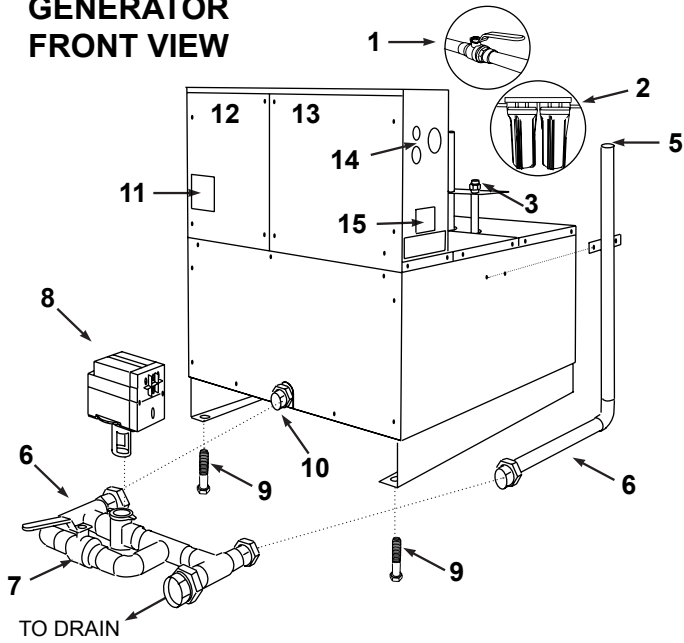




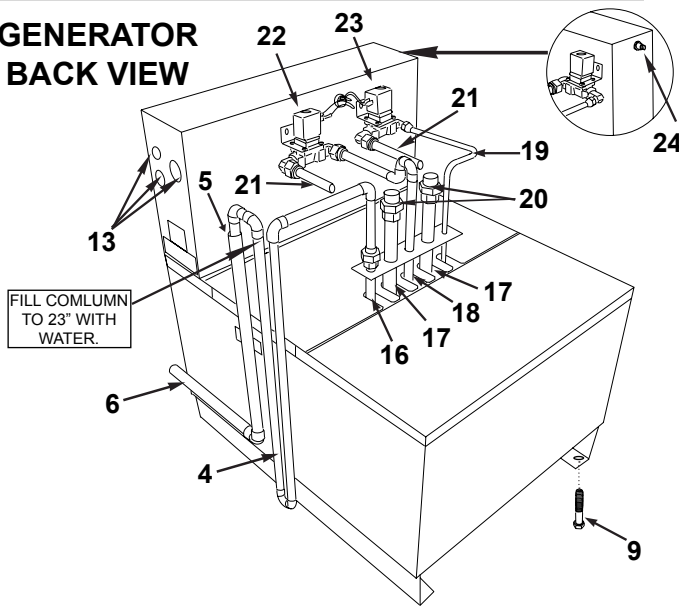
Commercial Steam Generator Component Description

FOR MODELS SG-9, SG-14, SG-18, SG-23, SG-27 & SG-36

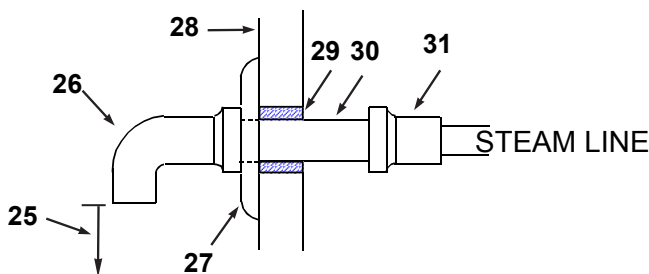
GENERATOR FRONT VIEW



GENERATOR BACK VIEW



TYPICAL STEAM NOZZLE INSTALLATION



COMPONENT DESCRIPTIONS:

PART # NOTE

- | # | # | NOTE |
|-----|-----|---|
| 1. | (c) | Water shutoff. |
| 2. | (c) | Adequate water supply treatment (if required). |
| 3. | (a) | 1/2" union for pressure relief column. |
| 4. | (b) | Pressure relief column, 23". |
| 5. | (b) | Air gap. |
| 6. | (b) | Drain piping kit. |
| 7. | (b) | Manual boiler drain valve. |
| 8. | (b) | Motorized boiler drain valve. |
| 9. | (b) | Bolt and nut for leveling. |
| 10. | (a) | Drain line union, 1". |
| 11. | (a) | Digital time clock and plastic cover. |
| 12. | (a) | Low voltage control connection box. |
| 13. | (a) | Main electrical supply connection box. |
| 14. | (a) | Electrical knockouts. |
| 15. | (a) | Steam unit serial # and electrical information label. |
| 16. | (b) | Pressure relief column supply pipe c/w 1/2" union. |
| 17. | (a) | Two steam pipes. |
| 18. | (a) | Boiler flush pipe. |
| 19. | (a) | Boiler fill pipe. |
| 20. | (a) | Steam pipe union. |
| 21. | (b) | Water supply pipe stub, 1/2". |
| 22. | (a) | Solenoid valve boiler flush. |
| 23. | (a) | Solenoid valve boiler fill. |
| 24. | (b) | Air switch button receiver connection. |
| 25. | (c) | Opening of steam head to be 14" above the finished floor. |
| 26. | (b) | Steam nozzle, two per. unit, sized to steam line. |
| 27. | (b) | Escutcheon, two per. unit, sized to steam line. |
| 28. | (c) | Finished steam room wall. |
| 29. | (c) | Silicone sealer. |
| 30. | (c) | Brass nipple. |
| 31. | (c) | Copper X female pipe thread adaptor. |
| 32. | (b) | Air switch button, plate, & indicator light. |
| 33. | (b) | Temperature sensor guard. |
| 34. | (b) | Temperature sensor wire, 25 feet. |
| 35. | (b) | High temperature control, "A-350". |
| 36. | (b) | Standby temperature control, "S-350". |
| 37. | (b) | Digital temperature display, "D-350". |
| 38. | (b) | Mounting rail for temperature controls. |

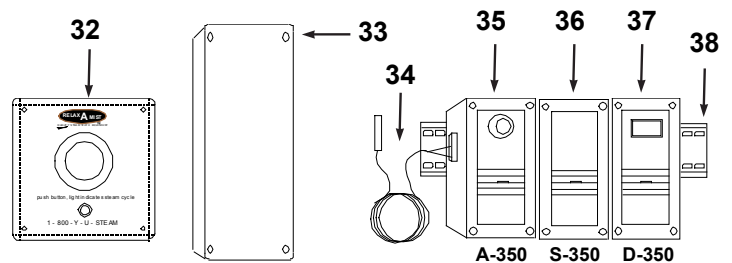
- NOTES: (a) Supplied and installed at the factory.
 (b) Supplied for installation in the field.
 (c) Not supplied. To be supplied by installer.

DIMENSIONS: Width = 23 inches, Depth = 27 inches, Height = 27 inches

IMPORTANT: An ADDITIONAL 18 inches clearance on sides and back must be maintained. An ADDITIONAL 30 inches clearance to front of steam generator should be maintained for servicing.

NOTICE: Items depicted are not to scale.

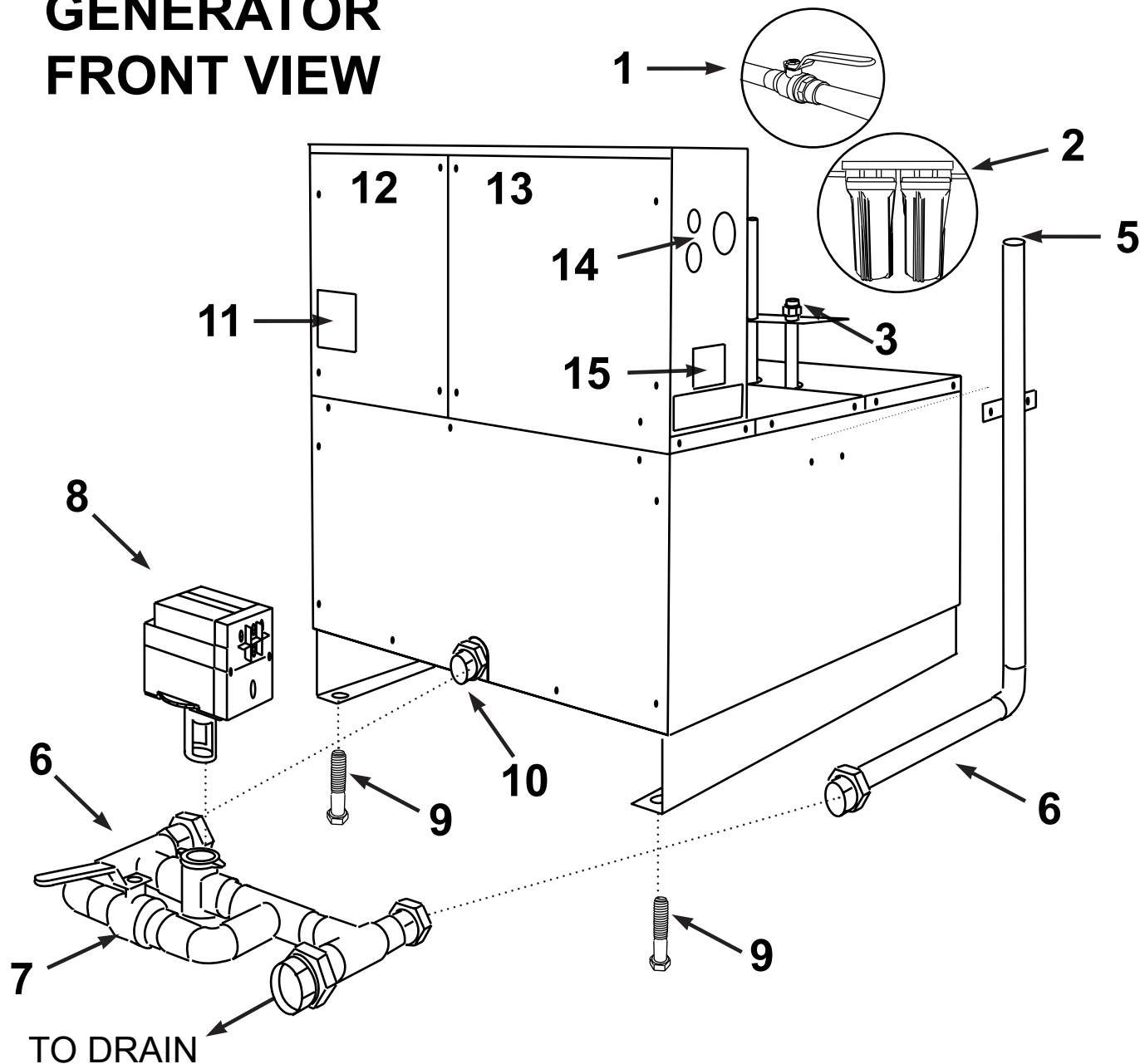
FIELD INSTALLED COMPONENTS



Commercial Steam Generator Component Description

FOR MODELS SG-9, SG-14, SG-18, SG-23, SG-27 & SG-36

GENERATOR FRONT VIEW

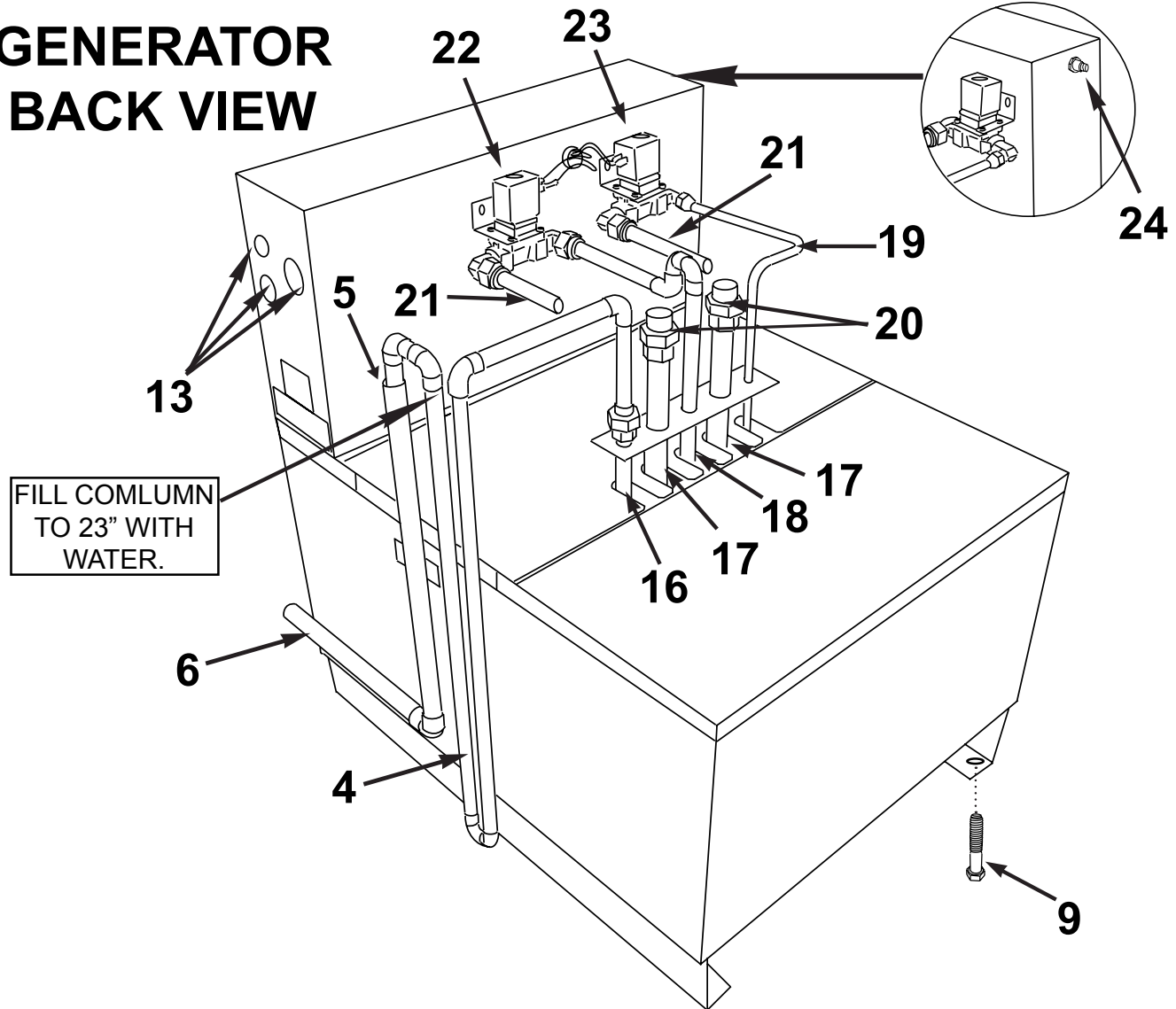


- | | | | |
|----|--|-----|--|
| 1. | (c) Water shutoff. | 9. | (b) Bolt and nut for leveling. |
| 2. | (c) Adequate water supply (treatment if required). | 10. | (a) Drain line union, 1". |
| 3. | (a) 1/2" union for pressure relief column. | 11. | (a) Digital time clock and plastic cover. |
| 4. | (b) Pressure relief column, 23". | 12. | (a) Low voltage control connection box. |
| 5. | (b) Air gap. | 13. | (a) Main electrical supply connection box. |
| 6. | (b) Drain piping kit. | 14. | (a) Electrical knockouts |
| 7. | (b) Manual boiler drain valve. | 15. | (a) Steam unit serial # and electrical information label |
| 8. | (b) Motorized boiler drain valve. | | |

Commercial Steam Generator Component Description

FOR MODELS SG-9, SG-14, SG-18, SG-23, SG-27 & SG-36

GENERATOR BACK VIEW



FILL COMLUMN
 TO 23" WITH
 WATER.

- | | | | |
|-----|--|-----|--|
| 4. | (b) Pressure relief column, 23". | 15. | (a) Steam unit serial # and electrical information label |
| 5. | (b) Air gap. | 16. | (b) Pressure relief column supply pipe c/w 1/2" union. |
| 6. | (b) Drain piping kit. | 17. | (a) Two steam pipes. |
| 7. | (b) Manual boiler drain valve. | 18. | (a) Boiler flush pipe. |
| 8. | (b) Motorized boiler drain valve. | 19. | (a) Boiler fill pipe. |
| 9. | (b) Bolt and nut for leveling. | 20. | (a) Steam pipe union. |
| 10. | (a) Drain line union, 1". | 21. | (b) Water supply pipe stub, 1/2". |
| 11. | (a) Digital time clock and plastic cover. | 22. | (a) Solenoid valve boiler flush. |
| 12. | (a) Low voltage control connection box. | 23. | (a) Solenoid valve boiler fill. |
| 13. | (a) Main electrical supply connection box. | 24. | (b) Air switch button receiver connection. |
| 14. | (a) Electrical knockouts | | |